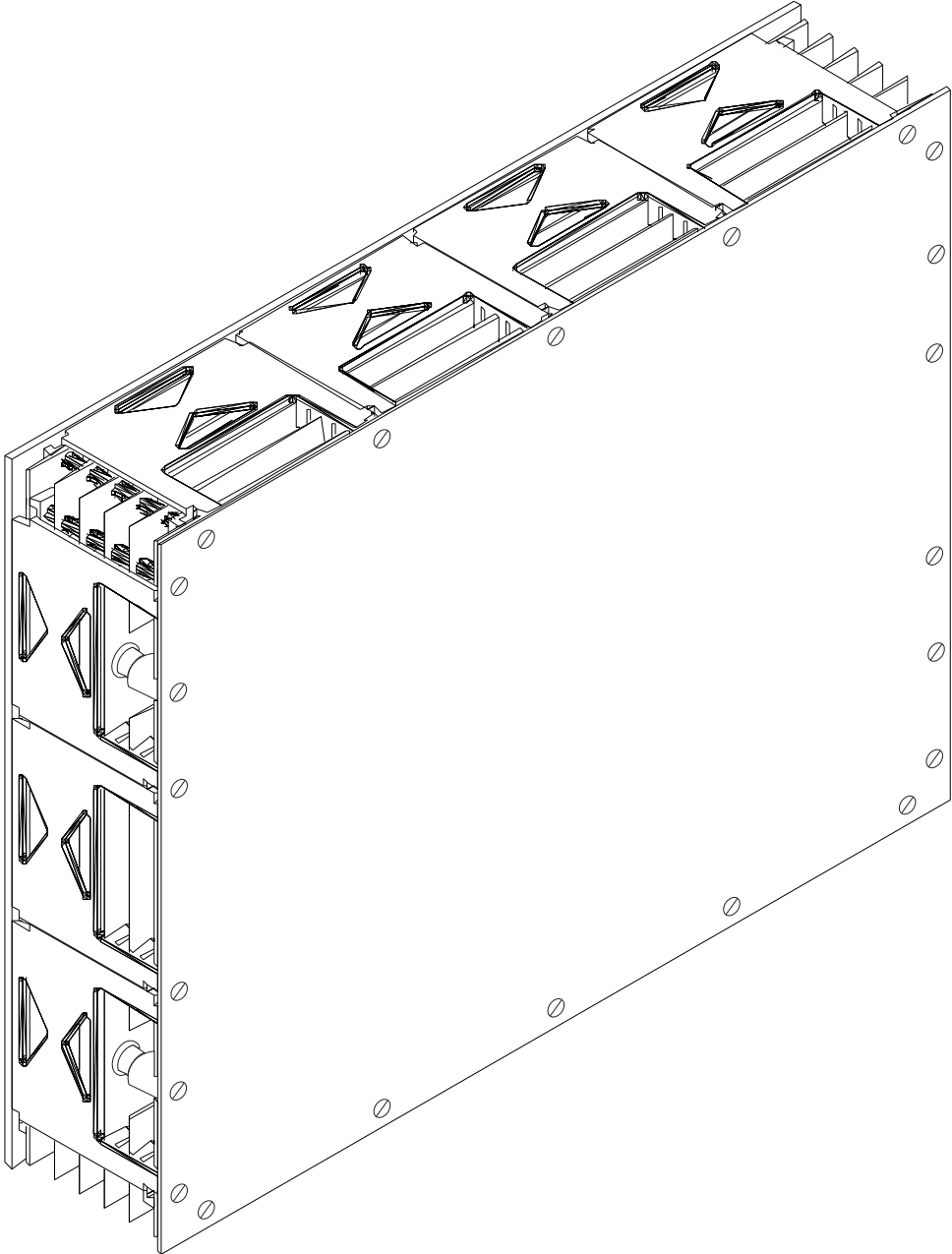


TEST CONNECTIONS, INC.

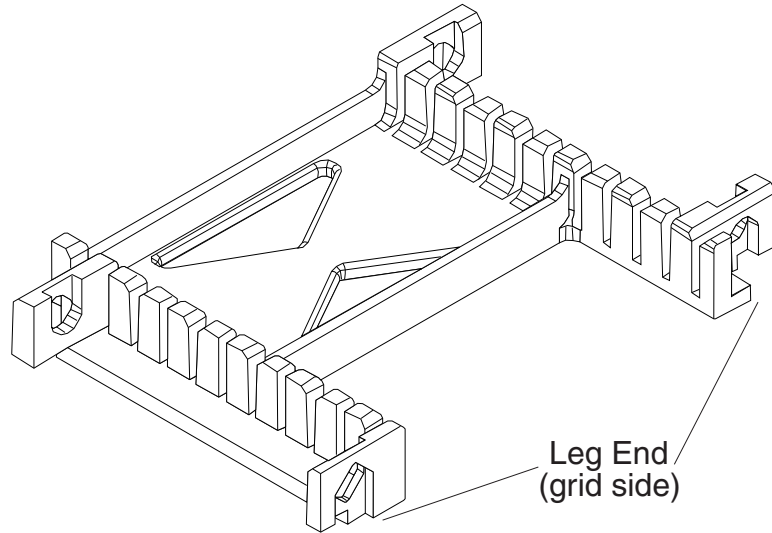
QuickFix
Patent # 5939892

QuickFix Assembly Instructions



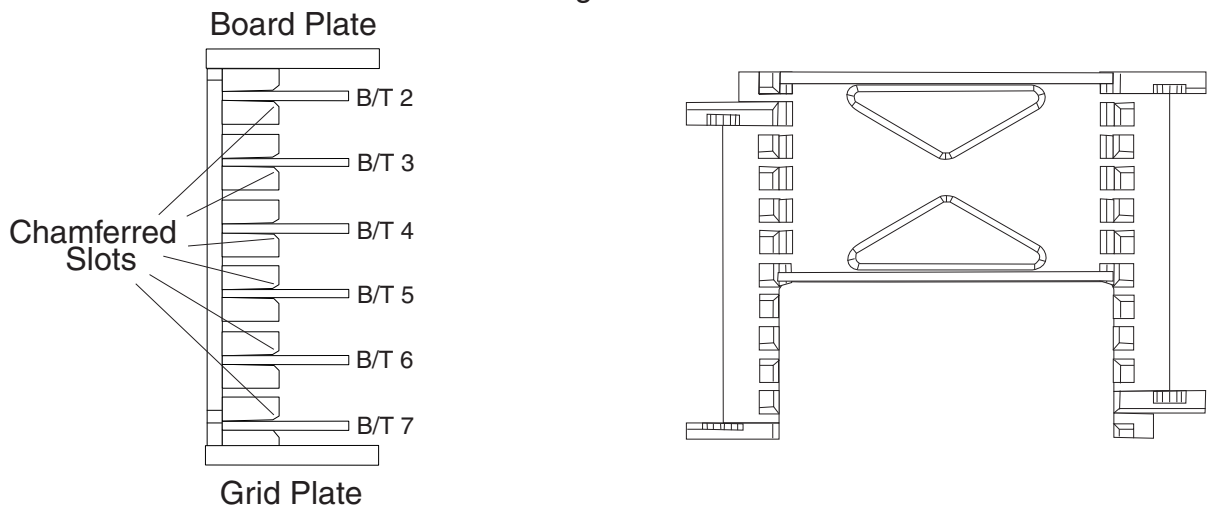
QF Rail

Fig. 1



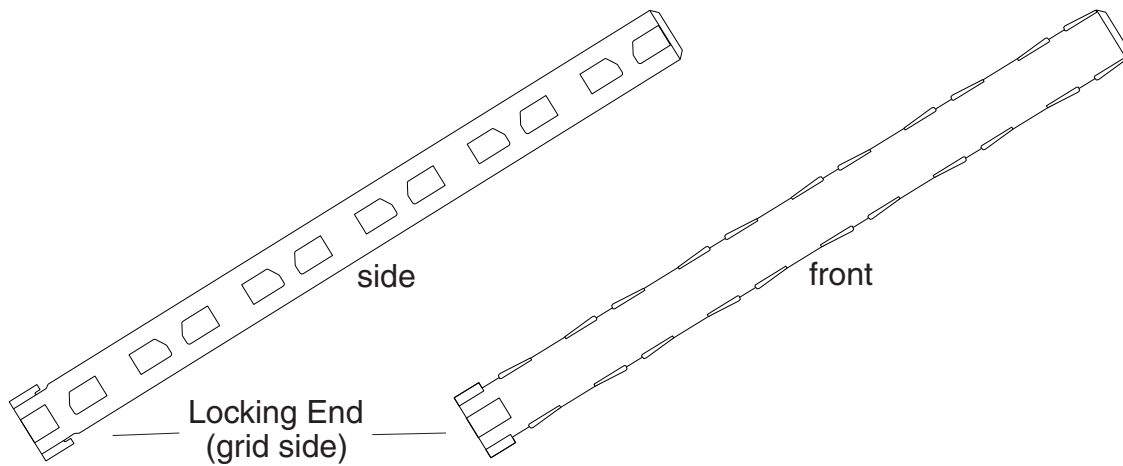
Standard Plate Stack Up

Fig. 2

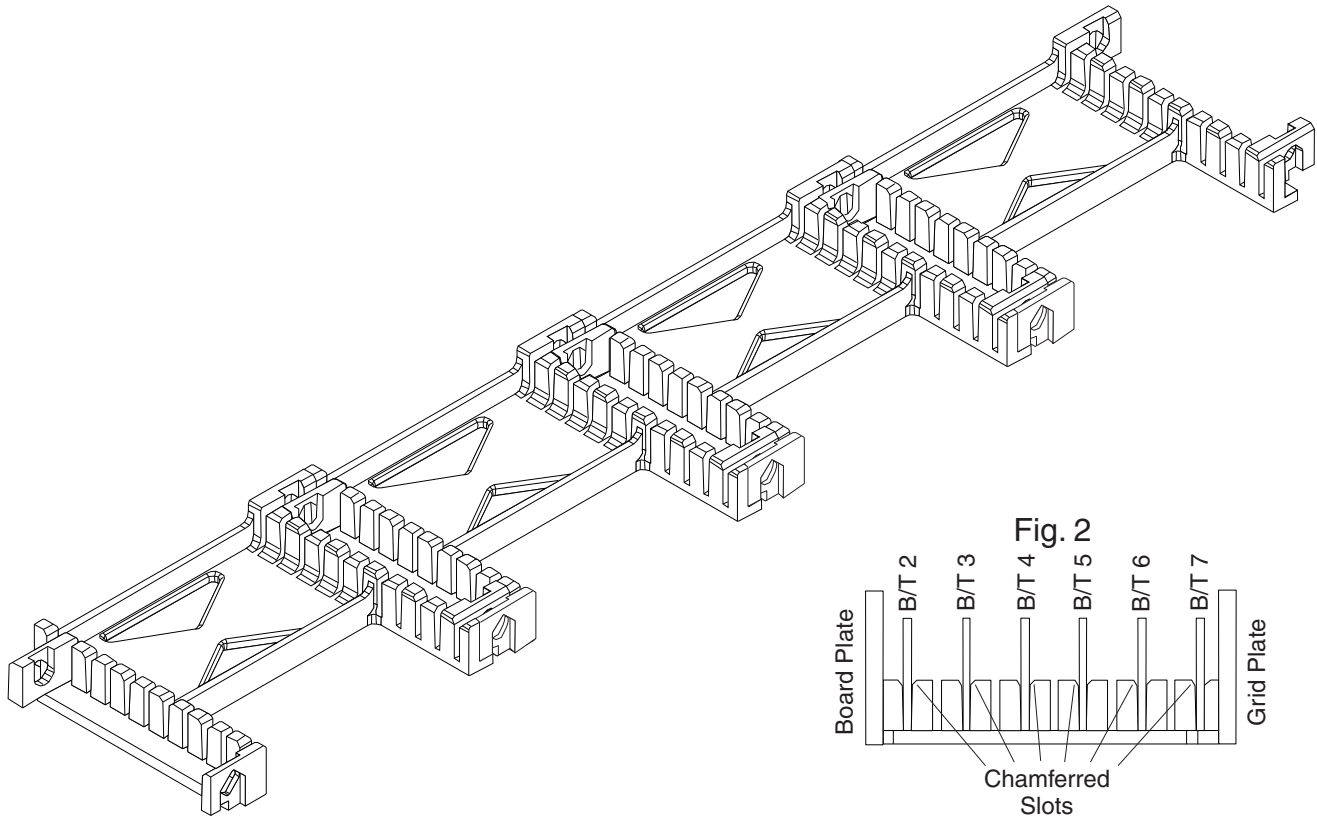


Product Area Support (PAS)

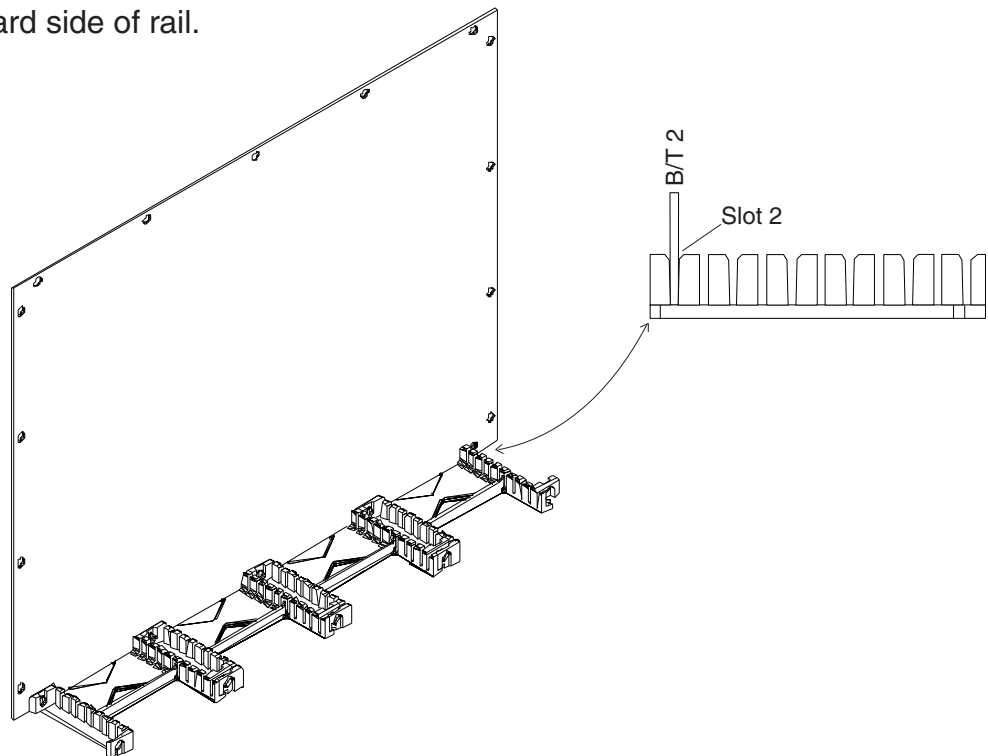
Fig. 3



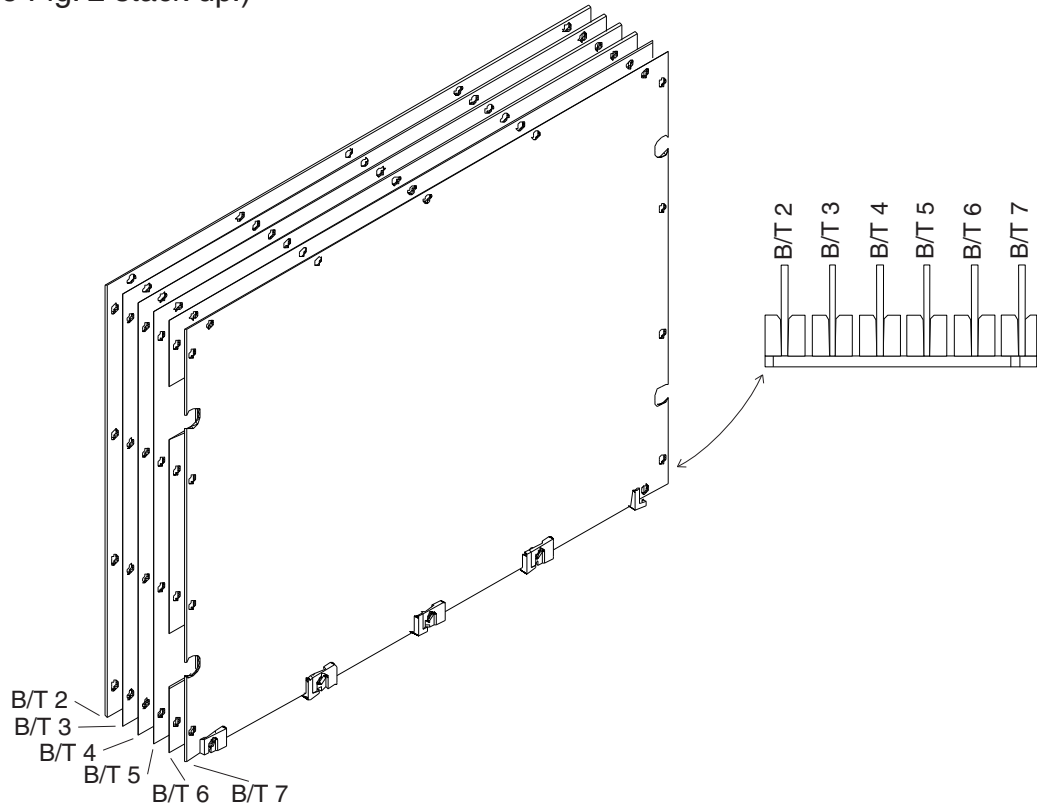
Lay rail piece flat on workstation with leg end of rail facing operator.



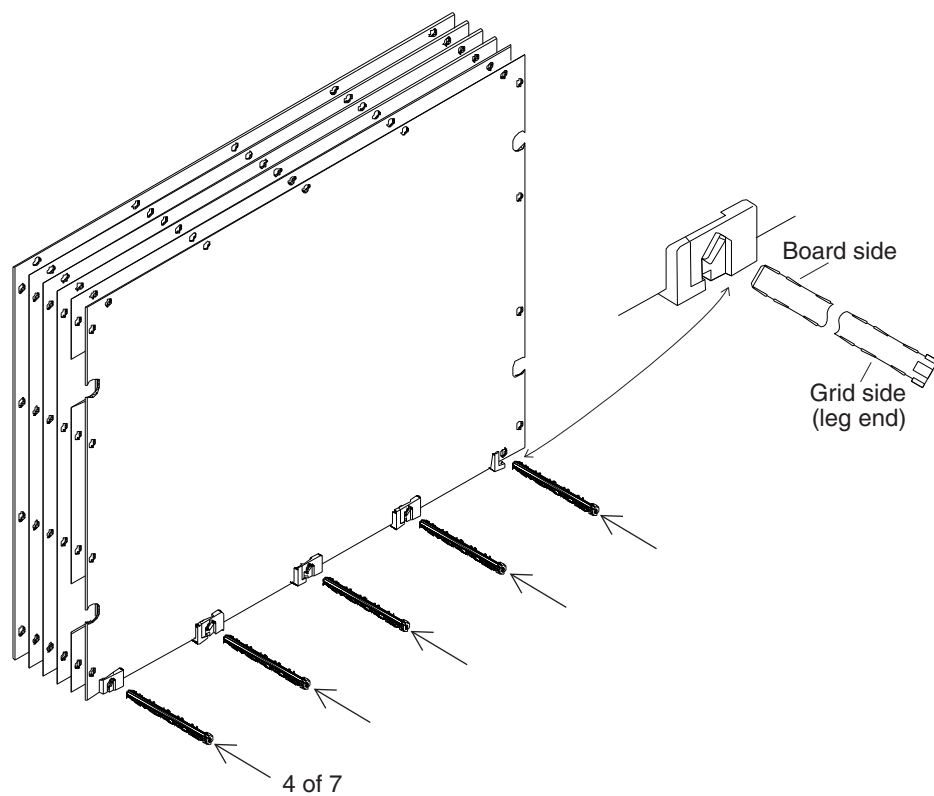
For a standard 8 plate fixture, place (B/T 2) into chamfered slot (Slot 2) nearest board side of rail.



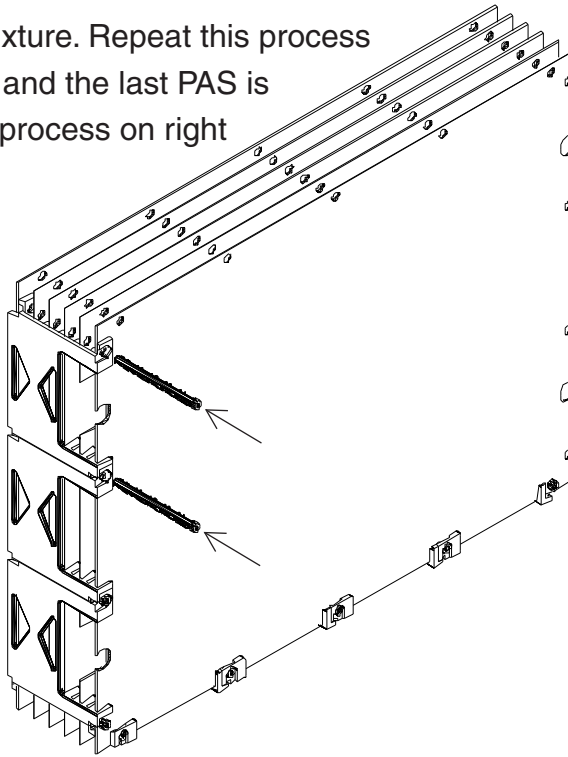
Insert plates B/T 3 through B/T 7 into corresponding chamfered slots. (See Fig. 2 stack up.)



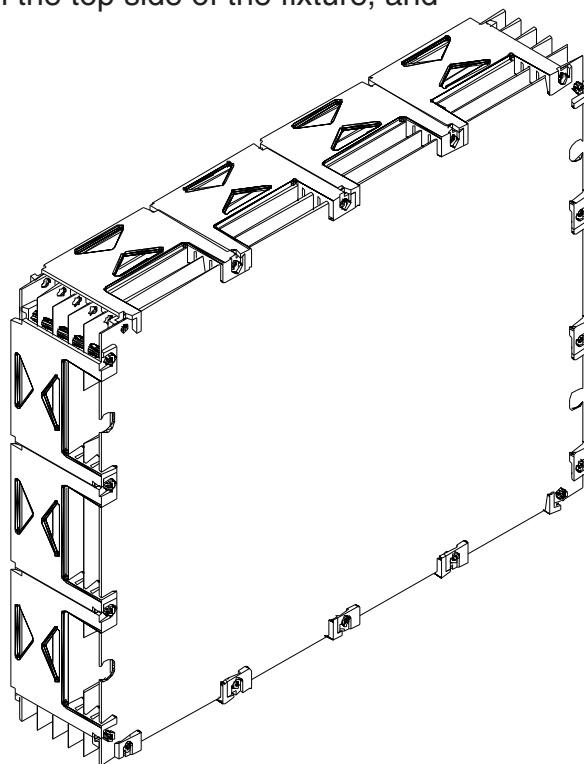
Insert Product Area Support (PAS) into each leg end of the rail piece.



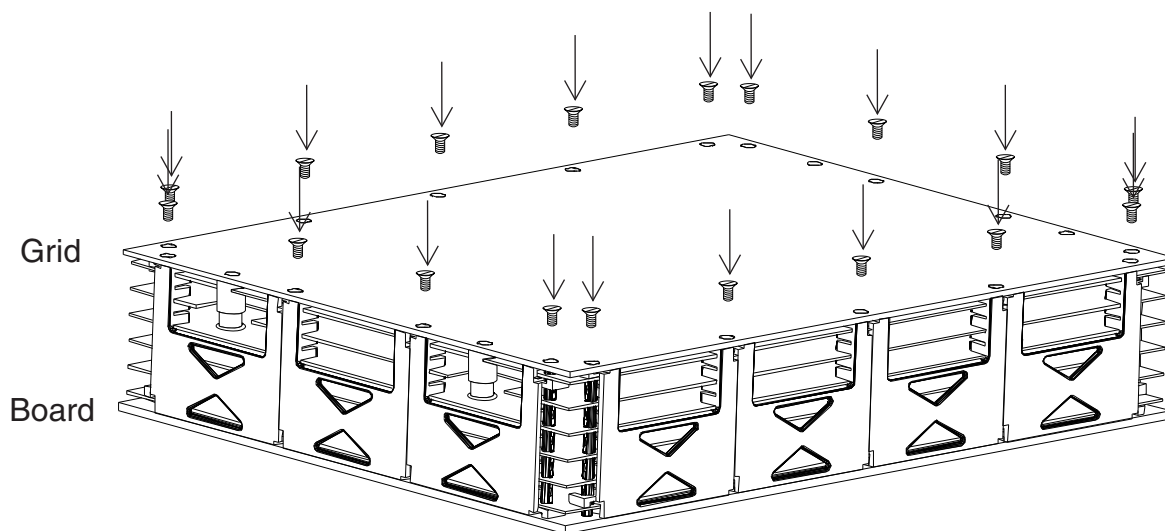
Place lower left rail piece on the side of the plates aligning plate holes with the rail. Place PAS into hole closest to bottom side of fixture only. Slide another rail piece onto the plates and then insert another PAS into the next closest hole to the bottom of the fixture. Repeat this process until all left side rail pieces are on and the last PAS is inserted into the side rail. Repeat process on right side of fixture.



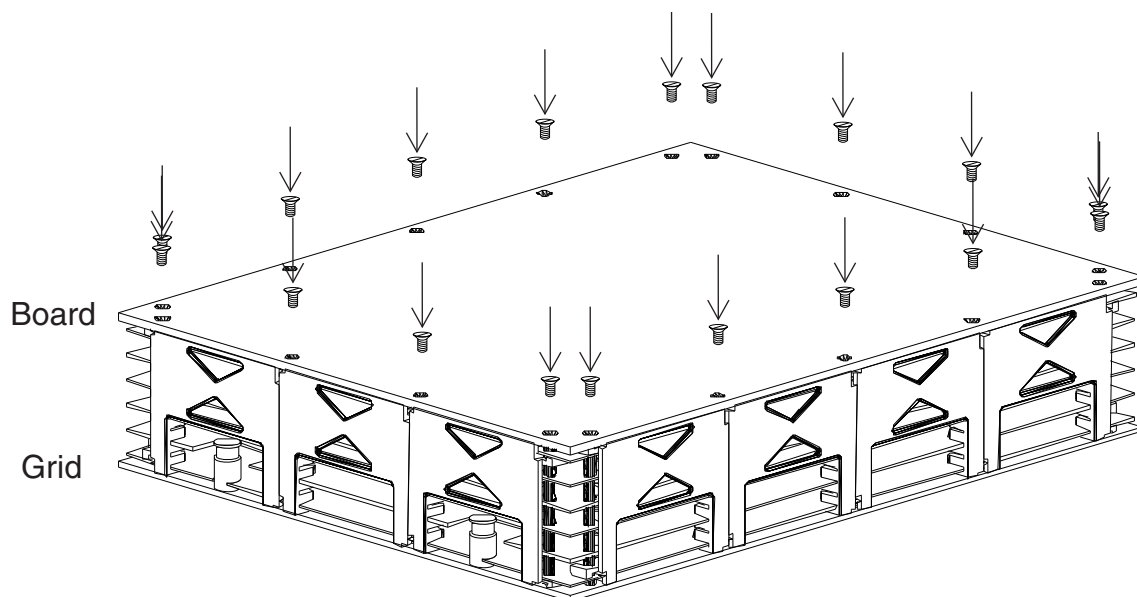
Slide rail pieces onto the plates on the top side of the fixture, and insert PAS into holes.



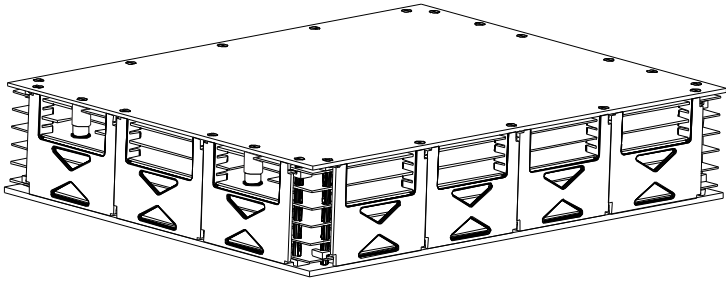
Lay fixture on board side and align the grid plate. Insert nylon screws into holes and tighten.



Turn fixture over and align the board plate. Insert nylon screws into holes and tighten.

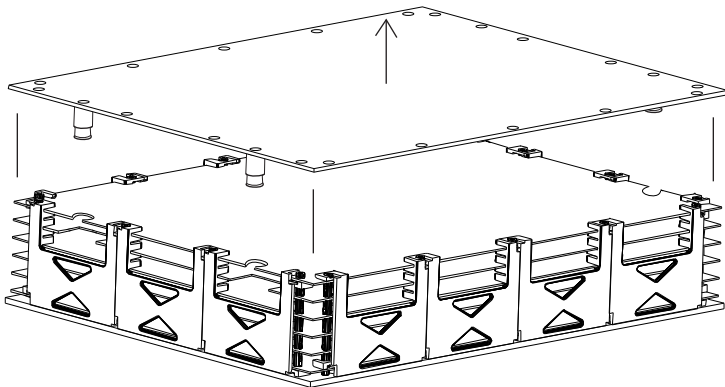
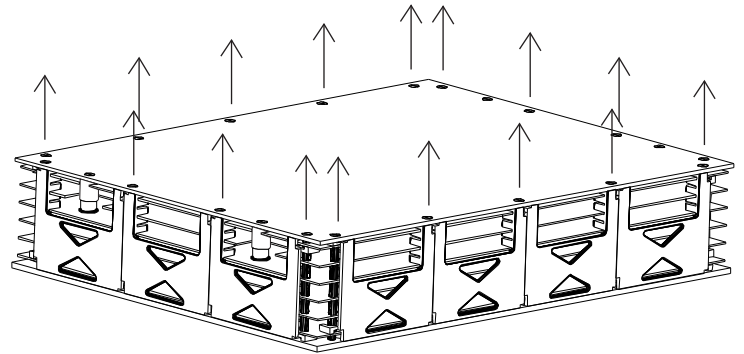


Retention Material Installation



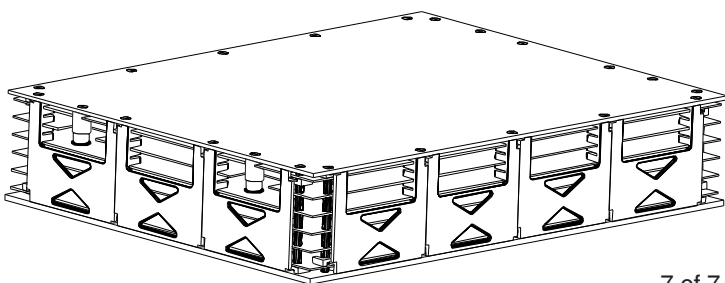
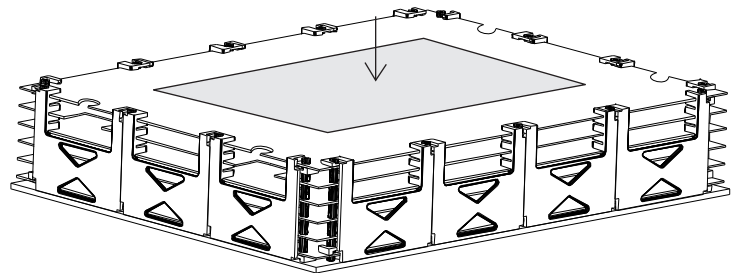
1. Once fixture is loaded w/pins, lay it flat on table with grid side facing up.

2. Remove screws from grid plate.



3. Remove grid plate from fixture.

4. Install retention material and position pins through it.



5. Replace grid plate and screws.