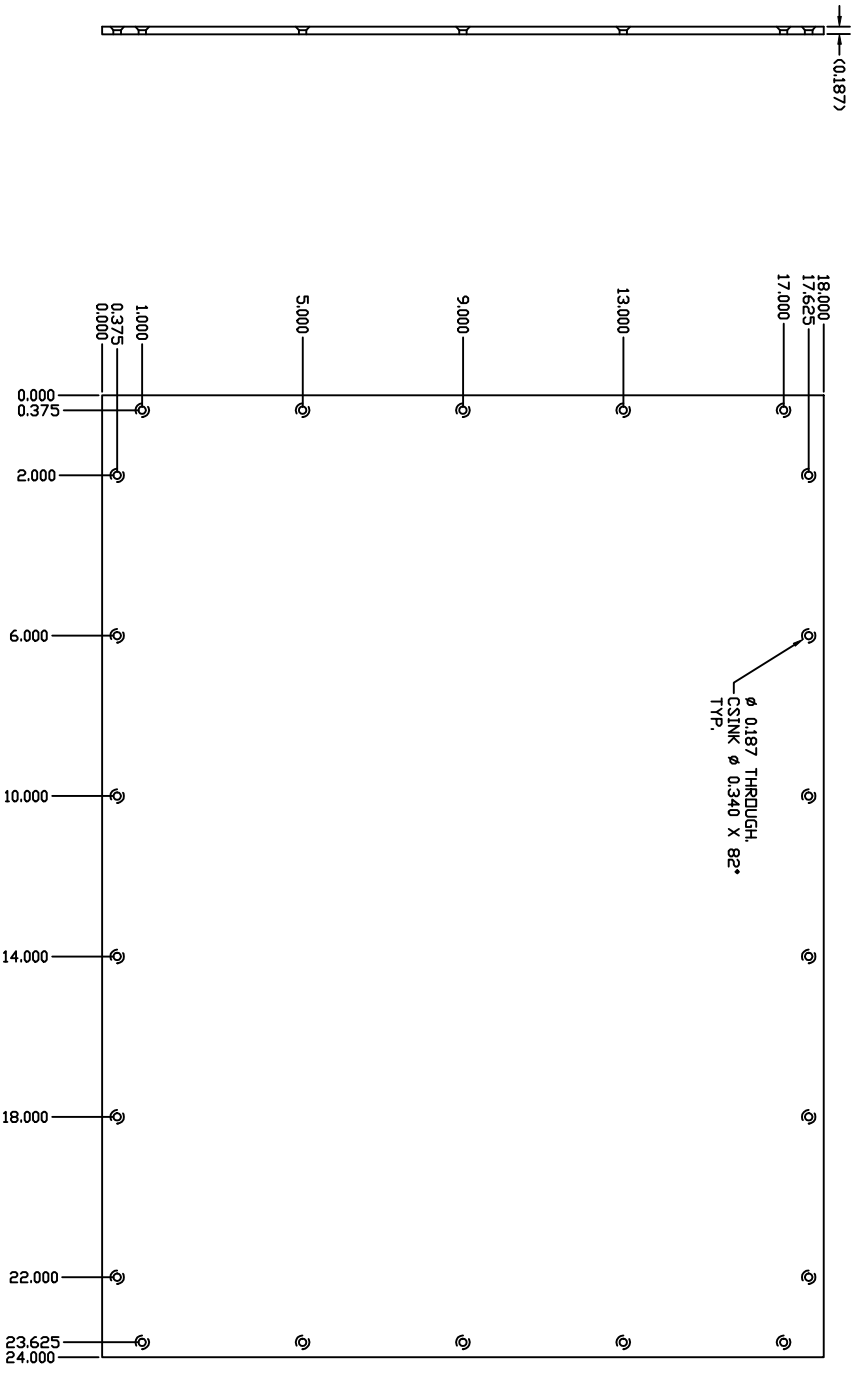


| REV. | DESCRIPTION | DATE |
|------|-------------|------|
|      |             |      |
|      |             |      |



UNLESS OTHERWISE SPECIFIED  
DIMENSIONS ARE IN INCHES  
TOLERANCES ARE:  
-X=±.03 ANGLES=0° 30°  
.XX=±.01  
.XXX=±.005  
FINISH:

| TITLE | SIGNATURE   | DATE    |
|-------|-------------|---------|
| DR.   | MIKE CURTIS | 5/30/02 |
| CHK.  |             |         |
| APP.  |             |         |

MATERIAL:

TITLE: TEST CONNECTIONS INC.  
UPLAND, CA

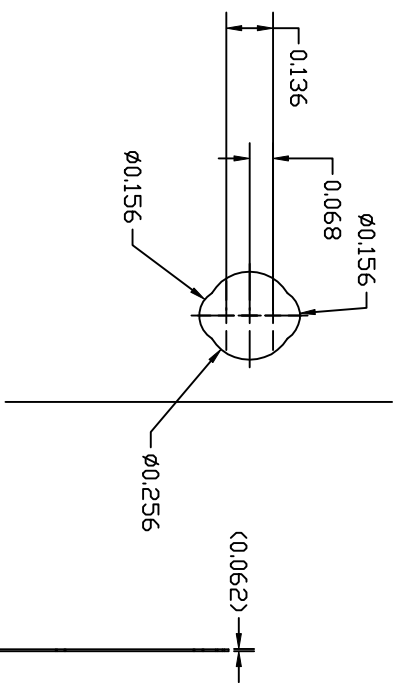
4.0 CL/TTI 18X24 BOARD P.L.T. S1

|      |                          |     |
|------|--------------------------|-----|
| SIZE | DWG NO.                  | REV |
| A    | 4.0 CLTTI 18X24 BOARD S1 |     |

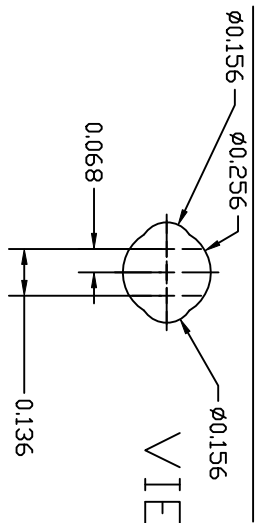
NOTES:  
(UNLESS SPECIFIED)

|       |      |       |        |
|-------|------|-------|--------|
| SCALE | NONE | SHEET | 1 OF 4 |
|-------|------|-------|--------|

# VIEW B



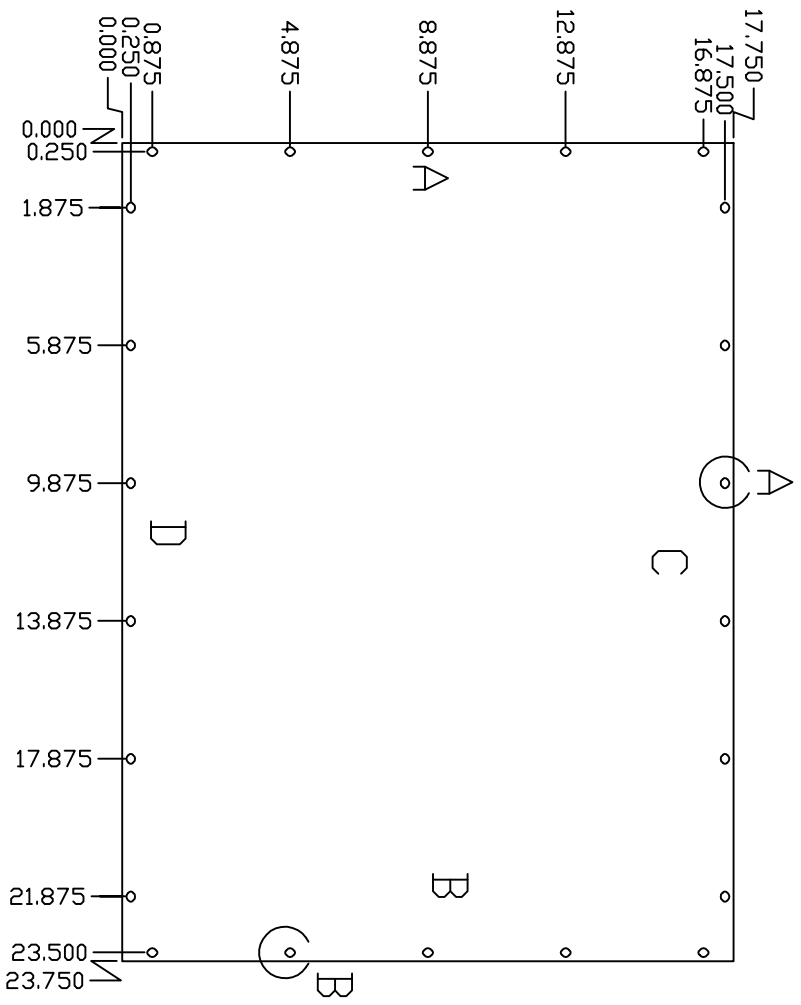
# VIEW A



1. THE ORIENTATION OF SIDES "A" AND "B" ARE SHOWN IN VIEW B. ORIENTATION OF SIDES "C" AND "D" ARE SHOWN IN VIEW A.

**NOTES:**  
(UNLESS SPECIFIED)

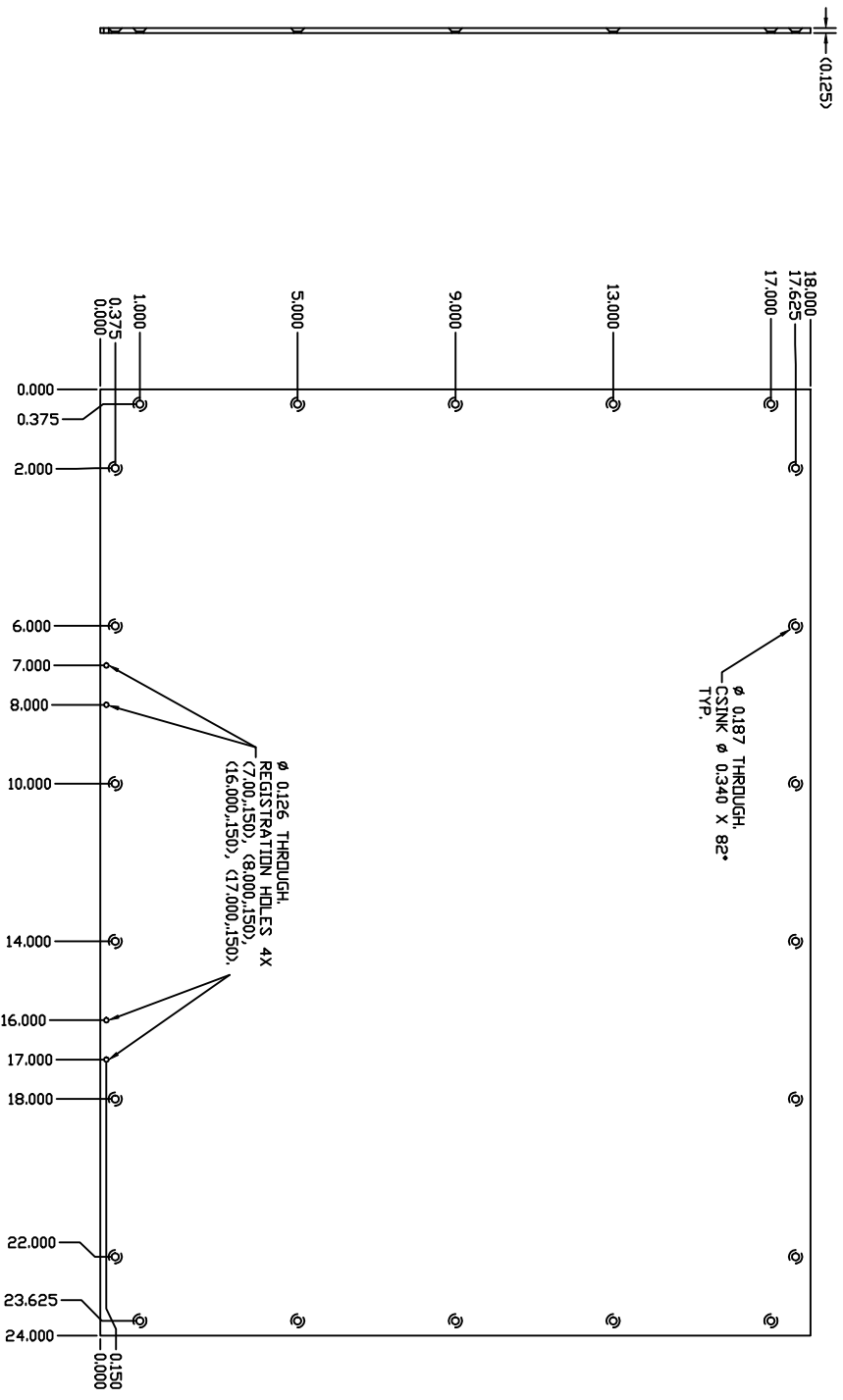
| REV. | DESCRIPTION | DATE |
|------|-------------|------|
|      |             |      |



|   |           |             |         |                                     |
|---|-----------|-------------|---------|-------------------------------------|
| UNLESS OTHERWISE SPECIFIED DIMENSIONS ARE IN INCHES TOLERANCES ARE:<br>X=±.03 ANGLES=0° 30"<br>XX=±.01<br>XXX=±.005 | TITLE     | SIGNATURE   | DATE    | TEST CONNECTIONS INC.<br>UPLAND, CA |
|   | DR.       | MIKE CURTIS | 5/30/02 |                                     |
|   | CHK.      |             |         |                                     |
| FINISH:   | MATERIAL: | APP.        |         | TITLE                               |
|   | LEXAN     |             |         | 4.0 CL/TTI 18X24 IP S2-7            |

|       |                         |        |
|-------|-------------------------|--------|
| SIZE  | DWG. NO.                | REV    |
| A     | 4.0 CLTTI 18X24 IP S2-7 |        |
| SCALE | NONE                    | SHEET  |
|       |                         | 2 OF 4 |

| REV. | DESCRIPTION | DATE |
|------|-------------|------|
|      |             |      |
|      |             |      |



UNLESS OTHERWISE SPECIFIED  
DIMENSIONS ARE IN INCHES  
TOLERANCES ARE:  
X=±.03 ANGLES=0° 30"  
XX=±.01  
XXX=±.005

FINISH:

| TITLE | SIGNATURE   | DATE    |
|-------|-------------|---------|
| DR.   | MIKE CURTIS | 5/30/02 |
| CHK.  |             |         |
| APP.  |             |         |

MATERIAL:

LEXAN

TEST CONNECTIONS INC.  
UPLAND, CA

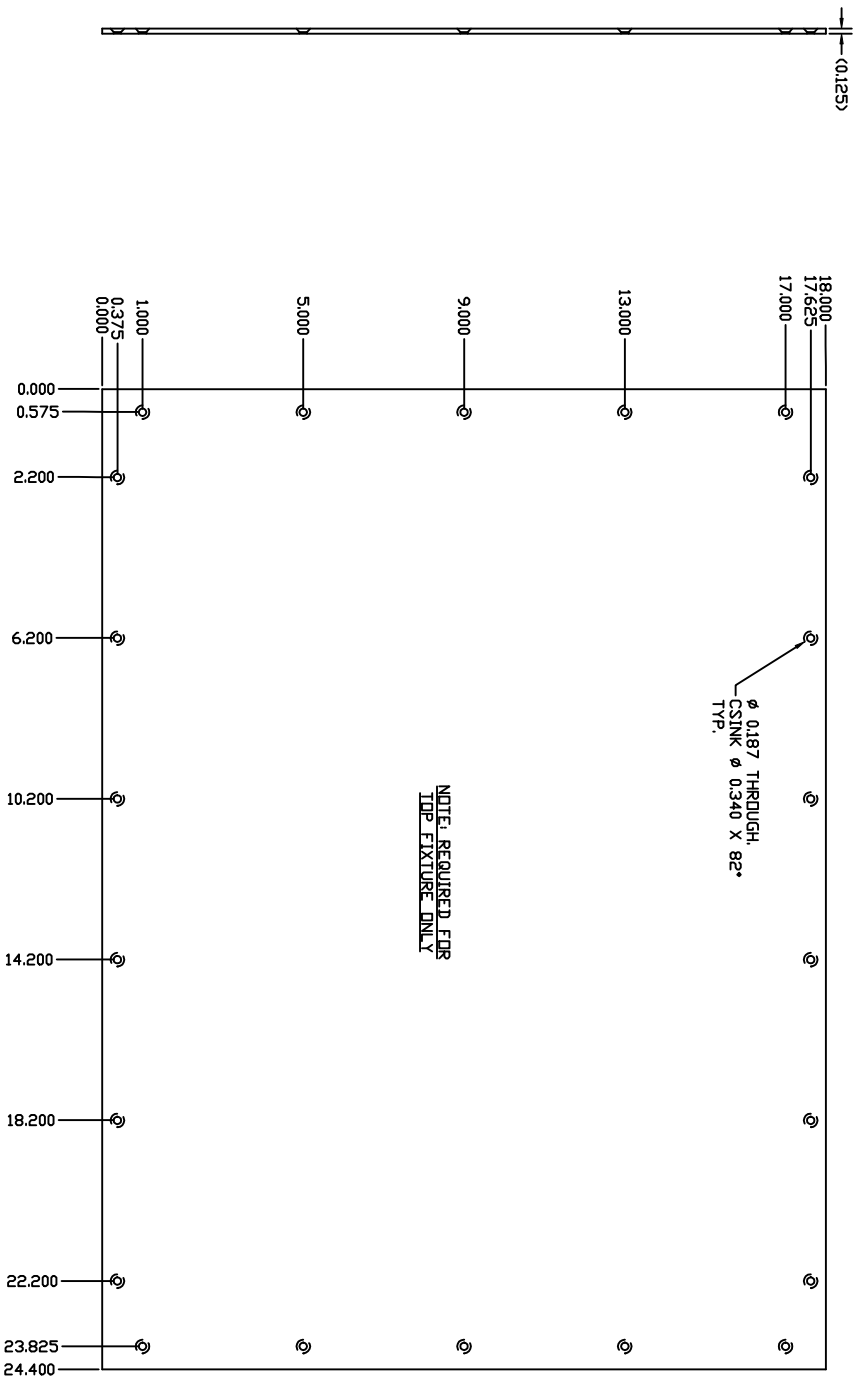
4.0 CL/TTI 18X24 LOWER GRID

| SIZE | DWG. NO.                   | REV |
|------|----------------------------|-----|
| A    | 4.0 CLTTI 18X24 LOWER GRID |     |

SCALE NONE SHEET 3 OF 4

NOTES:  
(UNLESS SPECIFIED)

| REV. | DESCRIPTION | DATE |
|------|-------------|------|
|      |             |      |
|      |             |      |



|  |       |             |         |
|--|-------|-------------|---------|
| UNLESS OTHERWISE SPECIFIED<br>DIMENSIONS ARE IN INCHES<br>TOLERANCES ARE:<br>X=±.03 ANGLES=0° 30"<br>XX=±.01<br>XXX=±.005<br>FINISH: | TITLE | SIGNATURE   | DATE    |
|  | DR.   | MIKE CURTIS | 5/30/02 |
|  | CHK.  |             |         |
| MATERIAL:  | APP.  |             |         |
| TITLE TEST CONNECTIONS INC.<br>UPLAND, CA<br>4.0 CL/TTL 18X24 UPPER GRID S8  |       |             |         |

NOTES:  
(UNLESS SPECIFIED)

|       |                              |              |
|-------|------------------------------|--------------|
| SIZE  | DWG NO.                      | REV          |
| A     | 4.0 CL/TTL 18X24 TOP GRID S8 |              |
| SCALE | NONE                         | SHEET 4 OF 4 |